



TAI-SAW TECHNOLOGY CO., LTD.

No. 3, Industrial 2nd Rd., Ping-Chen Industrial District,
Taoyuan, 324, Taiwan, R.O.C.

TEL: 886-3-4690038 FAX: 886-3-4697532

E-mail: tstsales@mail.taisaw.com Web: www.taisaw.com

Approval Sheet For Product Specification

Issued Date:


Product Name: SAW Filter 629 MHz SMD 3.8x3.8 mm

TST Parts No.:TA1006A

Customer Parts No.: _____

Company: _____
Division: _____
Approved by : _____
Date: _____

Checked by: _____ David Chang 張閱智

Approval by: _____ Francis Chen 

Date: _____ 2009/03/27



TAI-SAW TECHNOLOGY CO., LTD.

No. 3, Industrial 2nd Rd., Ping-Chen Industrial District,
Taoyuan, 324, Taiwan, R.O.C.

TEL: 886-3-4690038 FAX: 886-3-4697532

E-mail: tstsales@mail.taisaw.com Web: www.taisaw.com

SAW Filter 629MHz

MODEL NO.:TA1006A

REV. NO.:1

A. MAXIMUM RATING:

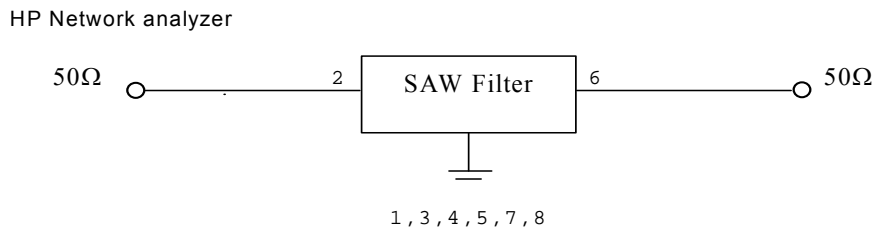
1. Input Power Level: 10 dBm
2. DC Voltage : 3V
3. Operating Temperature: -20°C to +75°C
4. Storage Temperature: -40°C to +85°C

RoHS Compliant
Lead free
Lead-free soldering

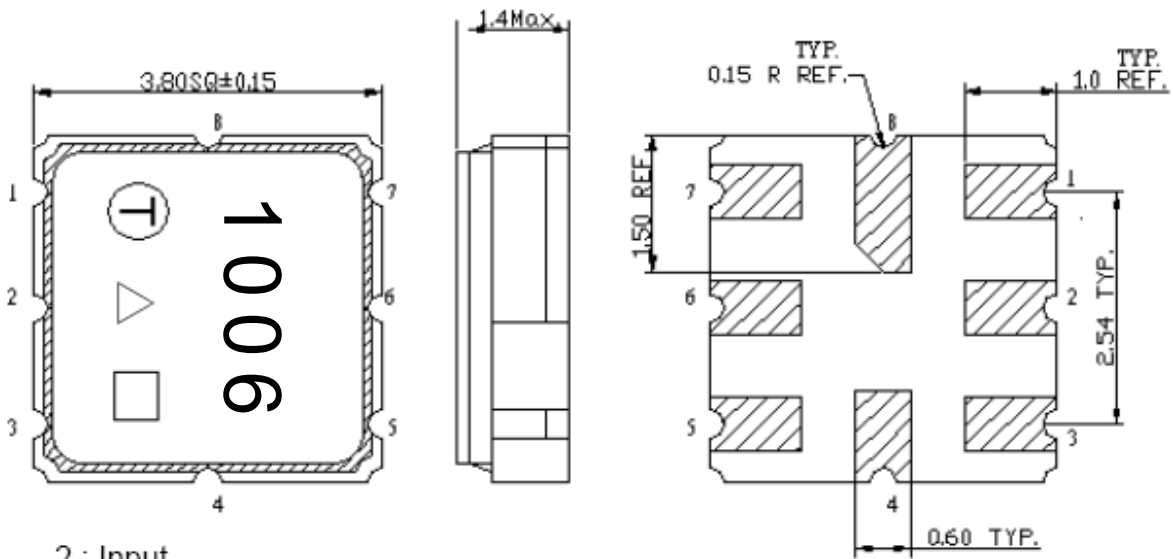
B. ELECTRICAL CHARACTERISTICS:

Item	Unit	Min.	Type.	Max.
Center frequency Fc	MHz	-	629	-
Insertion loss (620~638 MHz) IL	dB	-	2.3	4.5
Amplitude Ripple (variation over 6MHz)	dB	-	0.8	1.0
Group Delay Variation (620~638 MHz)	ns	-	34	45
Attenuation (Reference level from 0 dB)				
0 ~ 530 MHz	dB	30	55	-
530 ~ 560 MHz	dB	45	53	-
720 ~ 1000 MHz	dB	30	49	-
1000 ~ 1500 MHz	dB	30	37	-
Temperature Coefficient of Frequency	Ppm/°C	-	-35	-

C. MEASUREMENT CIRCUIT:



D.OUTLINE DRAWING:

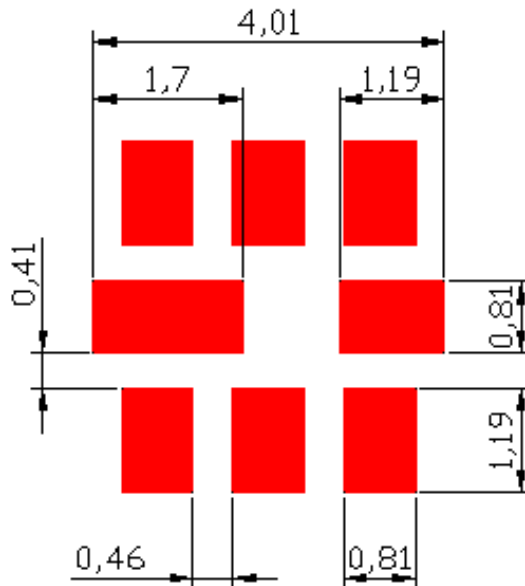


- 2 : Input
- 6: Output
- 1,3,4,5,7,8: Ground
- △ : Year Code
- : Date Code (W01->A, W02->B,...,W52->z)

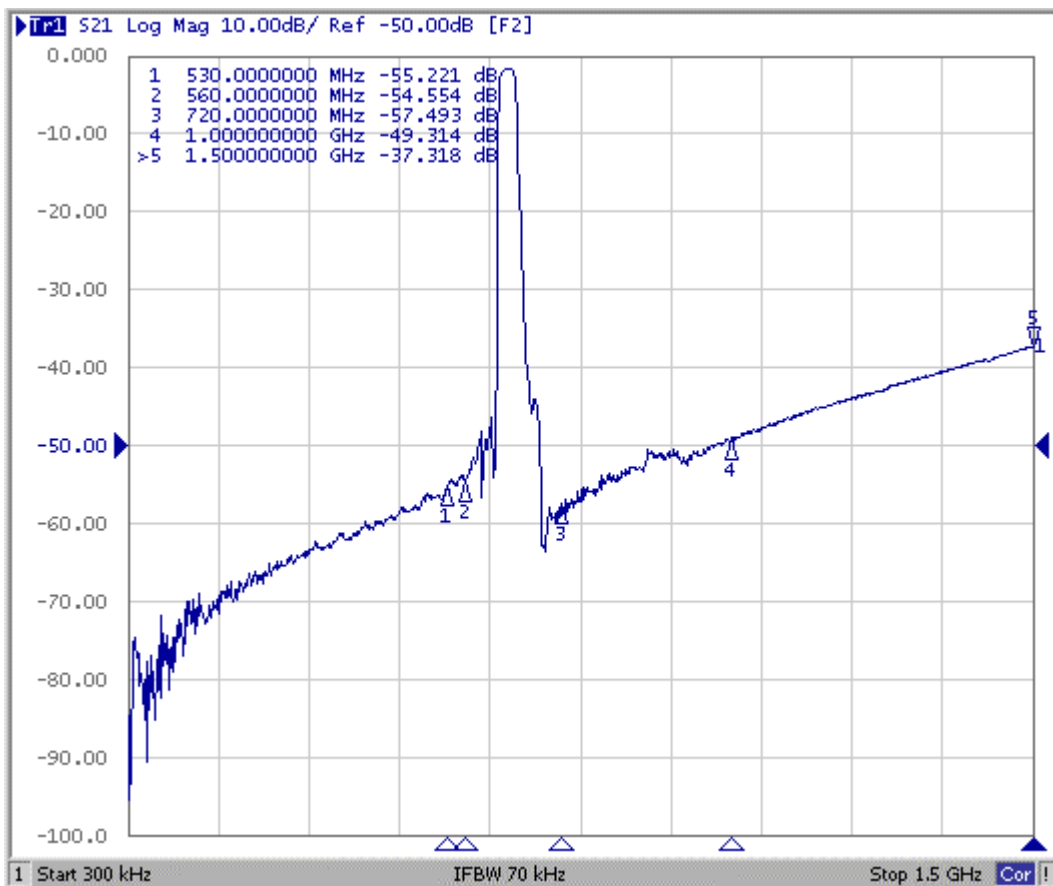
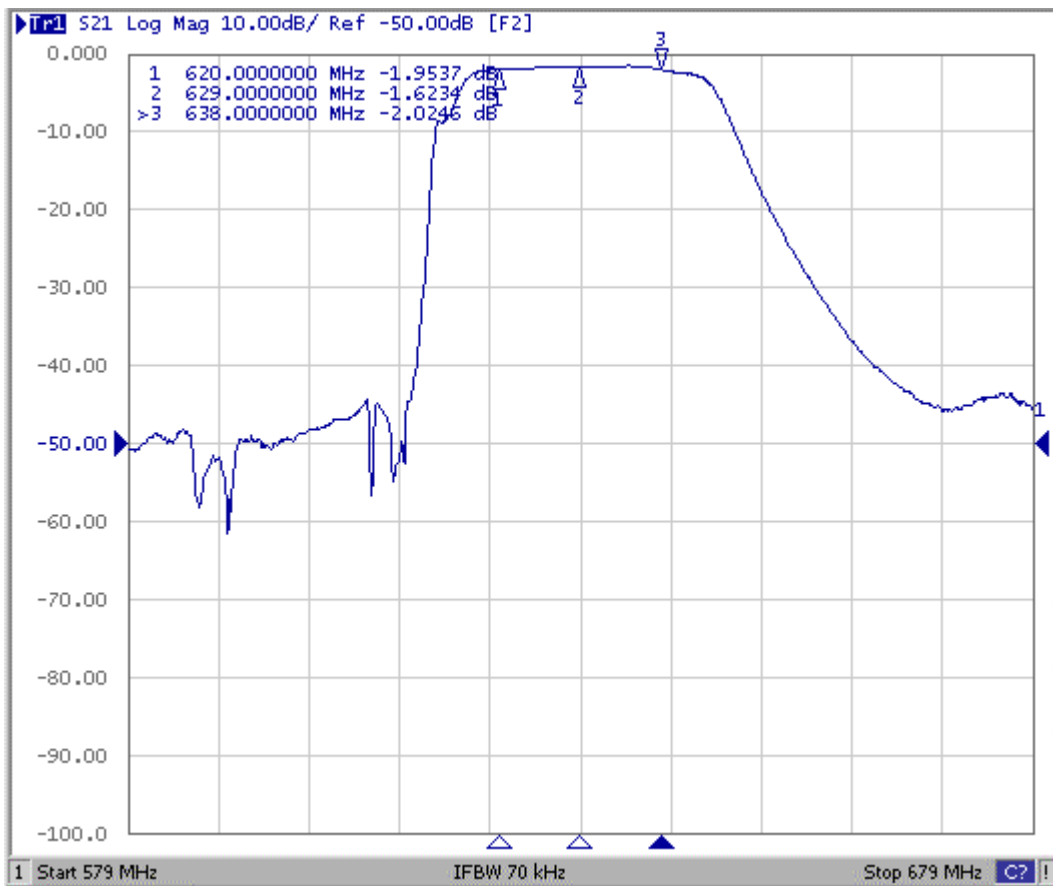
△ Product Year Code

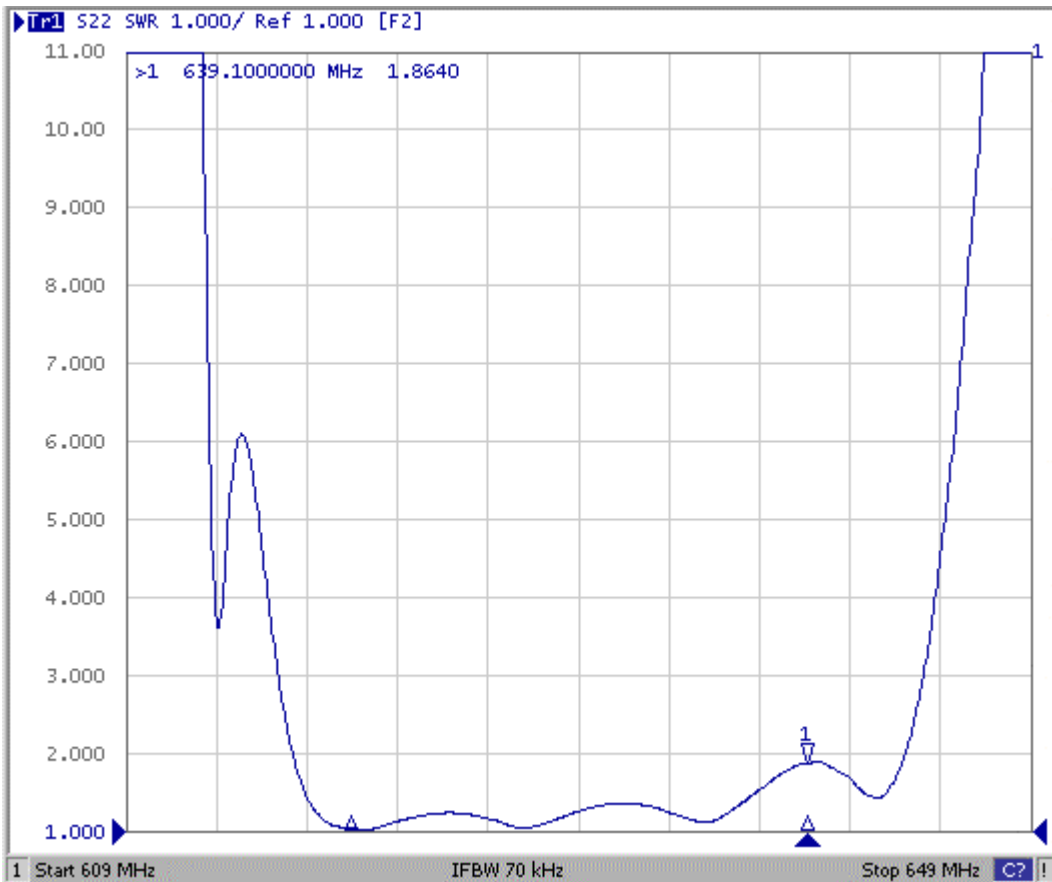
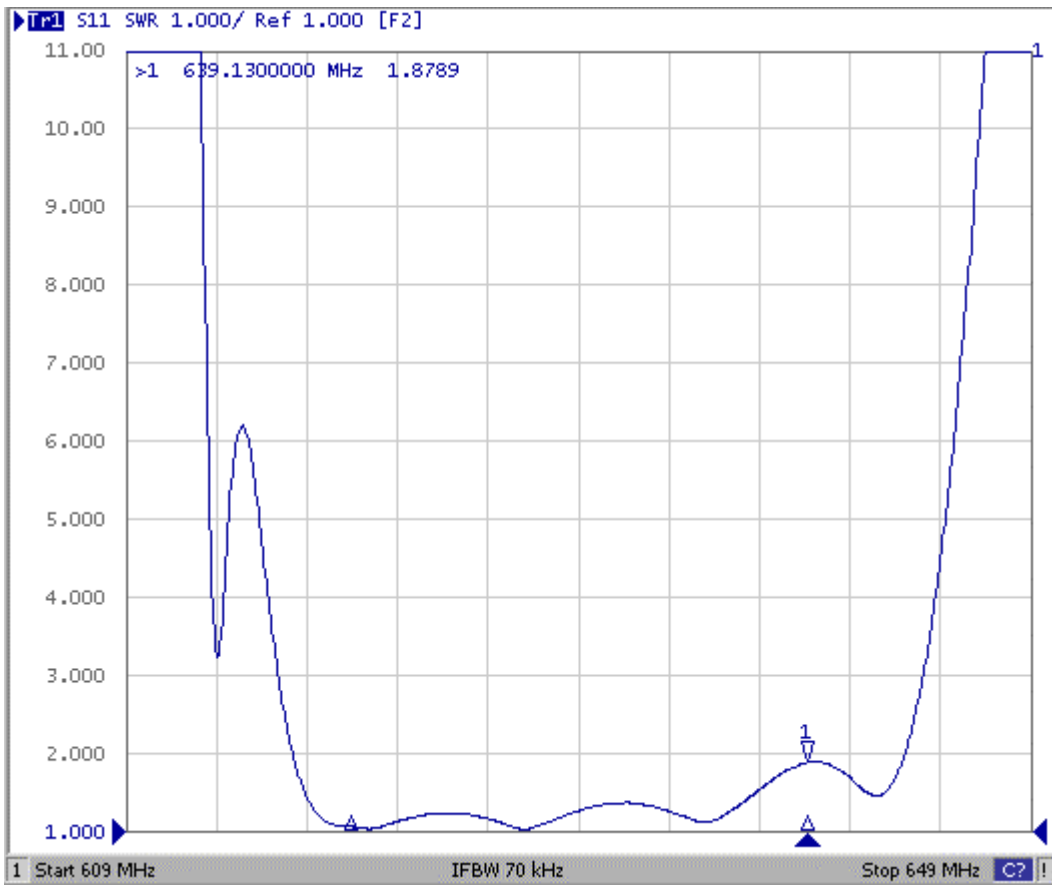
Year	2007	2008
	2009	2010
	2011	2012
Product Code	A	a

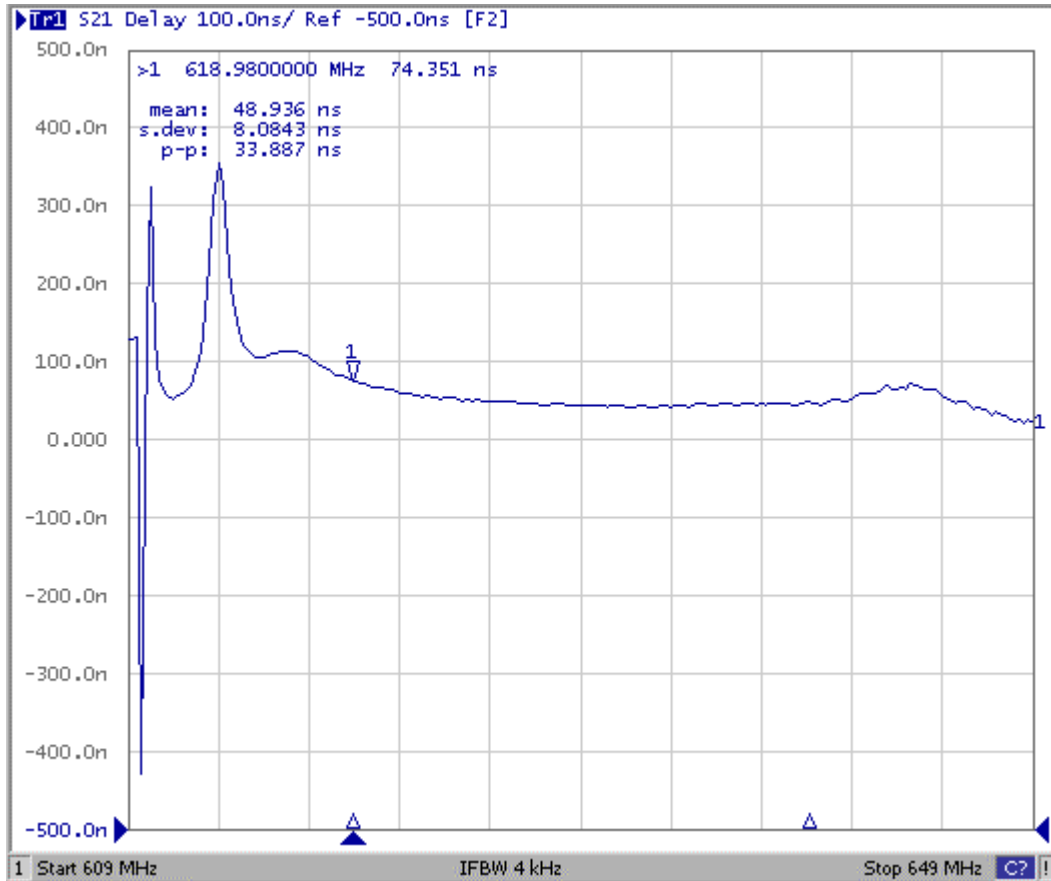
E. PCB Footprint:



F. Frequency Characteristics :

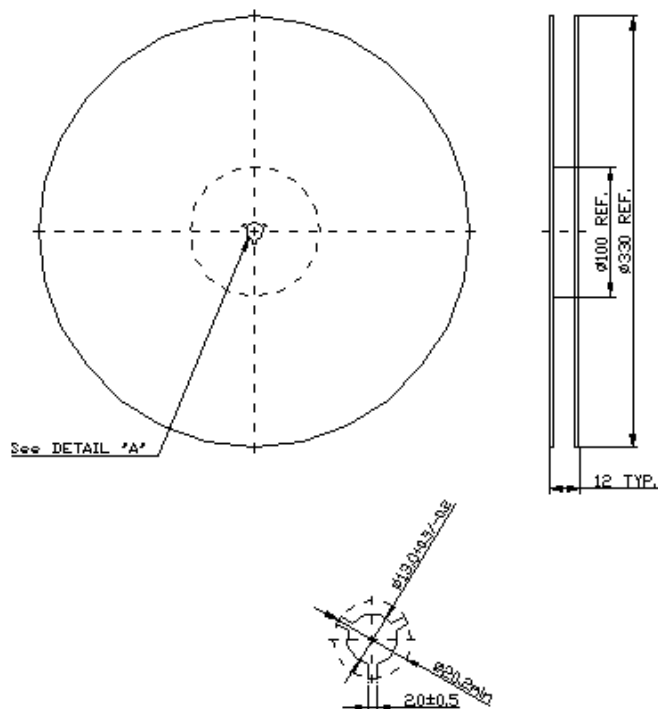




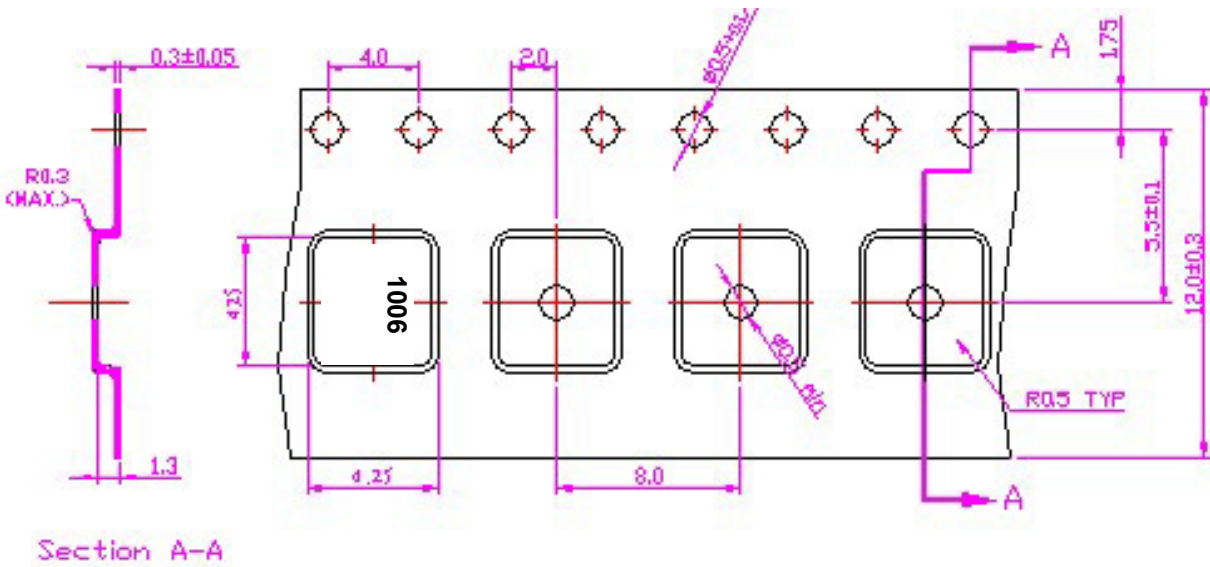


G. PACKING:

1. REEL DIMENSION



2. TAPE DIMENSION



H. RECOMMENDED REFLOW PROFILE :

